

P3RD Series



Single Packaged Air Conditioner, Single Phase 13 SEER

- Standard with state-of-the-art compressor
- Galvanized steel with polyester urethane coat finish; 950 hour salt spray finish resists corrosion 50% better
- Indoor and outdoor coils designed for optimal heat transfer, minimal size and cost, increased durability and reliability
- Valves are easily accessible for simplified refrigeration servicing
- Wire coil guard and mesh hail guard that will never rust prevents coil from damage by balls, lawnmowers, hail, etc.
- Easy service access to evaporator for cleaning and general maintenance
- 1" clearance to combustibles on duct side allows installation in tight areas
- Drain trap design optimizes drainage
- Easy to install electric heat strip provides up to 20 kw of heat output
- Compact footprint and profile makes it easy to transport and install
- 1 Year Limited Parts Warranty
- 1 Year Limited Labor Warranty
- 5 Year Limited Compressor Warranty



Stock No.	Mfg. No.	Model No.	BTUH	Cooling SEER	H x L x W	Refrigerant Charge Oz.	Shipping Weight
104100	918973	P3RD-024K	24,000	13	30.2" x 49" x 35"	136	340
104101	918974	P3RD-030K	30,000	13	30.2" x 49" x 35"	123	345
104102	918975	P3RD-036K	35,400	13	30.2" x 49" x 35"	136	350
104103	918976	P3RD-042K	40,500	13	30.2" x 49" x 35"	128	350
104104	918977	P3RD-048K	47,500	13	30.2" x 49" x 35"	146	370
104105	918978	P3RD-060K	-	13	34.2" x 49" x 35"	-	400

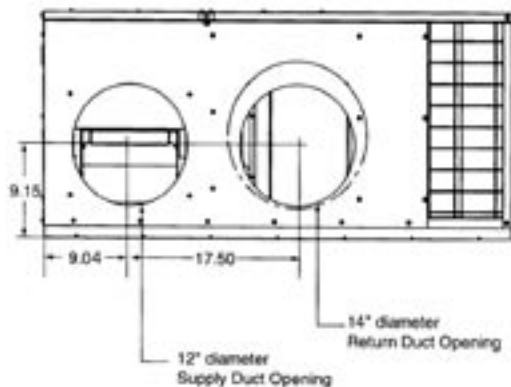
UL Listed Electric Heat Packages

Stock #	Mfg. #	Model #
S.O.	917166B	H3HK-005H-01A
S.O.	917167B	H3HK-008H-01A
103110	917168B	H3HK-010H-01A
103111	917169B	H3HK-015H-01A
103112	917170B	H3HK-020H-01A
103113	917172B	H3HK-015H-21A
103114	917173B	H3HK-020H-21A

Heater Kit Accessories

Stock #	Mfg. #	Description
101039	913350	4-Pole Single Circuit Adaptor
101040	913556	6-Pole Single Circuit Adaptor
101038	913554	Circuit Breaker Single Phase (2-Pole)

Model	Return Dia	Supply Dia.
P3RD024K	14"	12"
P3RD030K	14"	12"
P3RD036K	14"	12"
P3RD042K	14"	12"
P3RD048K	14"	12"



Application
P - Air Conditioning Packaged Unit

P3RD 024 K

Electrical Code
K = 208/230-60-1

Generation 1, 3, Etc.

Nominal Capacity
x 1000 Btu

Round Duct

D = 13 SEER

Prices and specifications subject to change without notice

K-1

Q3RD Series



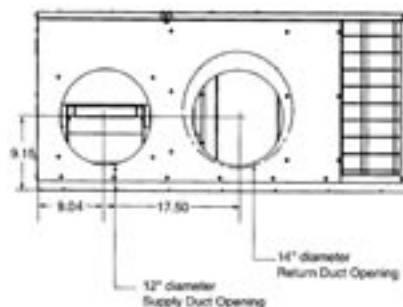
Single Packaged Heat Pump, Single Phase 13 SEER

- Standard with state-of-the-art compressor
- Galvanized steel with polyester urethane coat finish; 950 hour salt spray finish resists corrosion 50% better
- Indoor and outdoor coils designed for optimal heat transfer, minimal size and cost, increased durability and reliability
- Valves are easily accessible for simplified refrigeration servicing
- Wire coil guard and mesh hail guard that will never rust prevents coil from damage by balls, lawnmowers, hail, etc.
- Easier servicing with access panels provided to all major components
- Easy service access to evaporator for cleaning and general maintenance
- 1" clearance to combustibles on duct side allows installation in tight areas
- Drain trap design optimizes drainage
- Easy to install electric heat strip provides up to 20 kw of heat output
- Compact footprint and profile makes it easy to transport and install
- 1 Year Limited Parts Warranty
- 1 Year Limited Labor Warranty
- 5 Year Limited Compressor Warranty

Stock No.	Mfg. No.	Model No.	BTUH	Cooling SEER	H x L x W	Refrigerant Charge Oz.	Shipping Weight
104108	918979	Q3RD-024K	24,000	13	22.2" x 49" x 35"	101	295
104109	918980	Q3RD-030K	30,000	13	30.2" x 49" x 35"	126	335
104110	918981	Q3RD-036K	34,400	13	30.2" x 49" x 35"	125	340
104111	918982	Q3RD-042K	42,000	13	30.2" x 49" x 35"	118	355
104112	918983	Q3RD-048K	47,000	13	34.2" x 49" x 35"	117	385
104113	918984	Q3RD-060K	60,000	13	34.2" x 49" x 35"	117	385

UL Listed Electric Heat Packages

Stock #	Mfg. #	Model #
S.O.	917166B	H3HK-005H-01A
S.O.	917167B	H3HK-008H-01A
103110	917168B	H3HK-010H-01A
103111	917169B	H3HK-015H-01A
103112	917170B	H3HK-020H-01A
103113	917172B	H3HK-015H-21A
103114	917173B	H3HK-020H-21A



Model	Return Dia
Q3RD024K	12"
Q3RD030K	14"
Q3RD036K	14"
Q3RD042K	14"
Q3RD048K	14"
Q3RD060K	14"

Heater Kit Accessories

Stock #	Mfg. #	Description
101039	913350	4-Pole Single Circuit Adaptor
101040	913556	6-Pole Single Circuit Adaptor
101038	913554	Circuit Breaker Single Phase (2-Pole)

Application
Q - Heat Pump

Generation 1, 3, Etc.

Round Duct

Q3RD 024 K

D = 13 SEER

Electrical Code
K = 208/230-60-1

Nominal Capacity
x 1000 Btu

R4GD Series



Compact Single Package Gas/Electric A/C 13 SEER

High efficiency self-contained units for installation on the roof or on a slab. The convertible unit design makes installation simple in all applications. Units are ETL and ETLc listed.

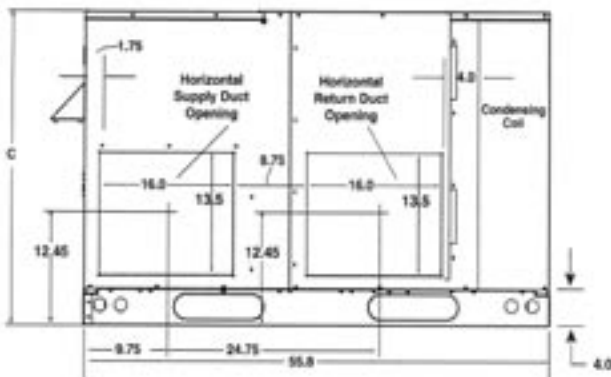
- Compact footprint/low profile is easy to handle & transport
- Heavy gauge, full perimeter base rails facilitates forklift handling & curb mounting
- Convertible horizontal or downflow to accommodate rooftop or horizontal application
- High gloss pre-coat paint provides a minimum of 950 salt spray protection
- Easy in and out service; quick access to refrigerant system without disrupting operation
- Corrosion-resistant drip pan
- Great fit and finish for total seal
- Low-vibration, 20" fan blade combined with custom condensor fan orifice for quiet operation

Stock No.	Mfg. No.	Model No.	Btu/h Cooling	SEER Rating	Max Over-Current Prot.	Refr. Ozs.	Dimensions Side x Back x Height*	Ship. Wt.
104171	918955	R4GD-030K072C	29,000	13.0	40 amp	93.4	47.5" x 55.8" x 39"	450
104172	918959	R4GD-036K096C	35,000	13.0	40 amp	100	47.5" x 55.8" x 39"	495
104173	918963	R4GD-042K096C	40,000	13.0	50 amp	192	47.5" x 55.8" x 39"	525
104174	918965	R4GD-048K096C	46,000	13.0	50 amp	216	47.5" x 55.8" x 43"	550

*Height includes base rails.

BTUH — British Thermal Unit Per Hour

SEER — Seasonal Energy Efficiency Ratio



R4GD - 24K 072 X

X = Low NOx
C = Standard

Heating Capacity

Electrical Code
K = 208/230-60-1

Cooling Capacity
(00) Btu

D = 13 SEER

Application
Gas/Electric Packaged Unit

Series

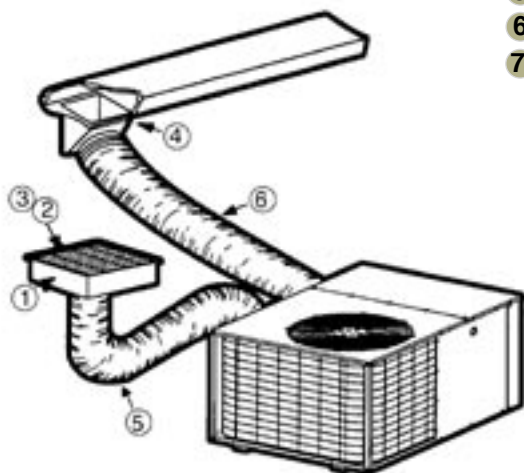
Gas

P3RD/R4GD/Q3RD Series

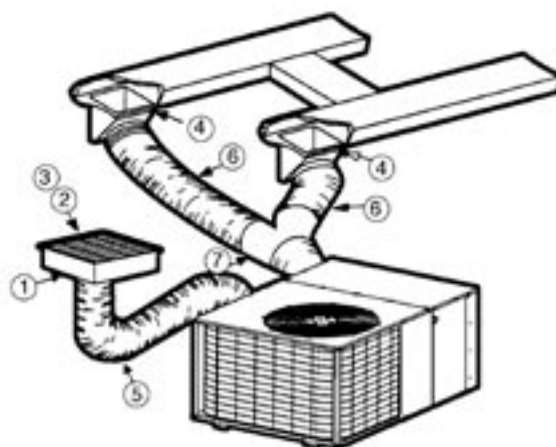
Self-Contained Applications

Sheet Metal System Reference Description

- 1 12" x 12" Return Air
- 2 16" x 20" Air Filter
- 3 12" x 20" Grille
- 4 Supply Damper
- 5 12" or 14" Dia. Flex Return Duct
- 6 12" Dia. Flex Supply Duct
- 7 12" x 12" x 12" "Y" fitting



Single Wide Application



Double Wide Application

Sheet Metal Systems

Stock #	Description	Stock #	Description
100913	Single Wide Fittings Kit (Ref. 1, 2, 3 and 4)*	100361	14" Starter Collars
100915	Double Wide Fittings Kit for 14" Wye Fitting	100914	Double Wide Kit (Ref. 1, 2, 3, 4 & 6)
100917	Single Wide Fittings Kit with 12" Supply and 14" Return (Ref. 1, 2, 3 and 4)	103150	12" Supply Fitting (Ref. 4)
		103131	16" x 20" Hog Hair Filter (Ref. 2)
100912	Single Wide Fittings Kit with 14" Supply and 14" Return (Ref. 1, 2, 3 and 4)	100920	12" x 10" x 10" A/C Splitter Box (For Double Wide)
100918	Double Wide Fittings Kit with 14" Return and 12" Wye (Ref. 1, 2, 3 and 4)	103154	14" -12" Reducer Adapter
		103155	10" - 12" Reducer Adapter
103146	12" Return Fitting (Ref. 1)	101227	12" Duct Collar f/Nordyne
100916	14" x 14" x 14" Y-Fitting	100362	12" Flex Connector
103152	12" x 12" x 12" Y-Fitting (Ref. 7)	103149	14" Std. Supply
103148	12" x 20" Grill (Ref. 3)	103153	14" Air Return
100921	12" x 12" x 12" A/C Splitter Box (F/DbI Wide)	100910	10" Round Supply w/Damper
100235	14" Duct Collar	262508	Hvy. Dty. Cable Ties 48"
100360	12" Starter Collars		

Accessories

Stock #	Mfg. #	Description	Use With
103001	914154	Heat/Cool Thermostat	All A/Cs
103000	914838	Deluxe Heat/Cool T-stat Sealed In Glass Switch	All A/Cs
103004	914832	HP Thermostat	
238128	901996	Automatic Damper	MGHA & MIGH
238221	902095	Base Damper (NEW)	CMF
237943	901083	Auto Damper	F/M Series Gas Furnaces w/Coil Cabinets & Nordyne Elec. Downflow Applications
101107	912933	Universal Hard Start Kit (Do not use on scroll compressor units) Provides additional starting torque for the compressor motor when operating with low line voltage or high operating temperatures	All Models
102858	904090A	LP Conversion Kit f/Gas Pack	R-4 Series
103071	913811A	12" Flex Adaptor Kit	Square to Round
103073	913812A	14" Flex Adaptor Kit	Square to Round
103085	911758	80 Second Fan Delay	

Duct Packages

Description	R4.2	R6
10" x 25' Duct	103147	
12" x 7' Duct	103141	
12" x 14' Duct	103142	
14" x 20' Duct	103143	
12" x 20' Duct	103144	
12" x 25' Duct	100908	103157
14" x 7' Duct	103140	
14" x 25' Duct	103145	103158

S5QD Series



Split System Air Conditioner 13 SEER



- **Designed using galvanized steel** — With a polyester urethane finish. The 950 hour salt spray finish is 1.5 mil thick and resists corrosion 50% better than comparable units.
- **Copper Tube/Aluminum Fin Coils** — Both indoor and outdoor coils are designed to optimize heat transfer, minimize size and cost, and increase durability and reliability.
- **Permanently Lubricated Motor** — A heavy-duty PSC motor for long-lasting reliability and quiet operation.
- **Plastic Coated Coil Guard**— Wire guard that will never rust and protects the coil from yard hazards and extreme weather.
- **Removable Top Grille Assembly** — Allows ease of service from the top without disconnecting fan motor leads.
- **One Piece Top/Orifice** — Designed for maximum airflow and quiet operation.
- **Hail Guard** — Plastic mesh protects coils from hail damage.
- **2-1/2" Pedestal Base** — The sturdy base keeps the bottom of the coil out of harm's way. Secondly, the base has weep holes along the edge to allow the water from rain to flow away from the unit.
- **Easy Compressor and Control Access** — Designed to make servicing easier for the contractor, access panels are provided to all controls and the compressor from the side of the unit.
- **1 Year Limited All Parts Warranty** — The best in the industry and has proven to be a major benefit to the consumer.

Air Conditioner Condenser - 13 SEER

Stock No.	Mfg. No.	Model No.	Btu/h Cooling	Seer Rtg.	Delay Fuse Max	Total Amps	Refr. Ozs.**	Dimensions H x W x D	Ship. Wght.
104122	918883A	S5QD-024K	24,000	13	20	9.3	104	34-1/2" x 22-1/2" x 22-1/2"	170
104123	918884A	S5QD-030K	29,400	13	25	11.8	134	34-1/2" x 22-1/2" x 22-1/2"	180
104124	918885A	S5QD-036K	35,000	13	30	14.4	138	38-1/2" x 30-1/2" x 30-1/2"	190
104125	918886A	S5QD-042K	40,000	13	35	17.8	170	42-1/2" x 30-1/2" x 30-1/2"	230
104126	918887A	S5QD-048K	47,000	13	45	22.9	147	42-1/2" x 30-1/2" x 30-1/2"	230
104127	918888A	S5QD-060K	58,000	13	60	29.6	232	42-1/2" x 30-1/2" x 30-1/2"	290

T5QD Series



Split System Heat Pump - 13 SEER

- **Designed using galvanized steel** — With a polyester urethane finish. The 950 hour salt spray finish is 1.5 mil thick and resists corrosion 50% better than comparable units.
- **Copper Tube/Aluminum Fin Coils** — Both indoor and outdoor coils are designed to optimize heat transfer, minimize size and cost, and increase durability and reliability.
- **Permanently Lubricated Motor** — A heavy-duty PSC motor for long-lasting reliability and quiet operation.
- **Plastic Coated Coil Guard** — Wire guard that will never rust and protects the coil from yard hazards and extreme weather.
- **Time/Temperature Defrost** — A reliable, industry standard control offers various time settings to meet any type climate.
- **Removable Top Grille Assembly** — Allows ease of service from the top without disconnecting fan motor leads.
- **One Piece Top/Orifice** — Designed for maximum airflow and quiet operation.
- **Hail Guard** — Plastic mesh protects coils from hail damage.
- **Common Suction Service Port** — This port allows the contractor to read the suction pressure in all modes of operation without removing any panels, saving time and increasing serviceability.
- **2-1/2" Pedestal Base** — The sturdy base keeps the bottom of the coil out of harm's way. Secondly, the base has weep holes along the edge to allow the water from rain to flow away from the unit.
- **Five-Minute Restart Time Delay** — When the unit shuts down, a five minute time delay keeps the unit from restarting, eliminating the highest cause for compressor failure.
- **Suction Accumulator** — Protection from fluid flood back and future compressor failures.
- **Hot Gas Muffler** — Reduces compressor noise and vibration.
- **Easy Compressor and Control Access** — Designed to make servicing easier for the contractor, access panels are provided to all controls and the compressor from the side of the unit.
- **1 Year Limited All Parts Warranty** — The best in the industry and has proven to be a major benefit to the consumer.



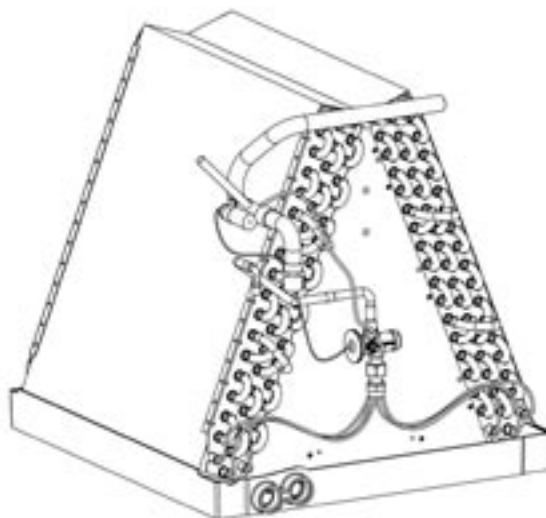
Heat Pump Condenser - 13 SEER

Stock No.	Mfg. No.	Model No.	Btu/h Cooling	Seer Rtg.	Delay Fuse Max.	Total Amps	Refr. Ozs.**	Dimensions H x W x D	Ship. Wght.
104115	918876A	T5QD-024K	24,000	13	25	12.2	126	26-1/2" x 30-1/2" x 30-1/2"	180
104116	918877A	T5QD-030K	29,000	13	30	13.0	144	38-1/2" x 30-1/2" x 30-1/2"	200
104117	918878A	T5QD-036K	35,400	13	35	17.4	155	42-1/2" x 30-1/2" x 30-1/2"	215
104118	918879A	T5QD-042K	40,000	13	40	19.4	248	38-1/2" x 30-1/2" x 30-1/2"	265
104119	918880A	T5QD-048K	45,000	13	45	21.8	248	42-1/2" x 30-1/2" x 30-1/2"	290
S. O.	918881A	T5QD-060K	57,000	13	60	29.4	268	42-1/2" x 30-1/2" x 30-1/2"	300



C5QA Evaporator Coils

- Upflow and counterflow applications
- Copper tubing with aluminum fins
- Quick connect refrigerant connections
- High efficiency fin design & rifle tubing
- Plastic long-life drain pan & fitting.



Evaporator "A" Coil (includes drain hose & clamp)

Stock No.	Mfg. No.	Model No.	Dimensions
			L x W x H
104141	919213	C5QA-T25U-B	19-1/2" x 18-1/8" x 20"
104142	919214	C5QA-T30U-B	19-1/2" x 18-1/8" x 20"
104143	919215	C5QA-T36U-B	19-1/2" x 18-1/8" x 20"
104144	919216	C5QA-T42U-B	19-1/2" x 18-1/8" x 20"
104145	919217	C5QA-T43U-B	19-1/2" x 18-1/8" x 24"
104146	919218	C5QA-T47U-B	19-1/2" x 18-1/8" x 20"
104147	919219	C5QA-T48U-B	19-1/2" x 18-1/8" x 24"

Designed specifically for use with certain models of manufactured housing downflow gas furnaces or electric furnaces in both downflow and upflow applications, where system is configured as a pull-through air application.

FB Coils

- TXV equipped
- Needed to make 13 SEER in certain applications

Efficiency and capacity ratings are listed in current ARI Unitary Directory for FB Coils matched with Nordyne brand outdoor condensing or heat pump units. Air conditioning coil matches are listed in INDOOR COIL MANUFACTURER air conditioning section. Heat pump coil matches are listed in INDOOR COIL MANUFACTURER heat pump section.

Stock No.	Mfg. No.	Model No.	Metering Device	Dimensions	Liquid Conn.	Suction Conn.	Type Fittings
				L x W x H			
104148	558166	CMQX-53U	R-22 TXV KIT B	19-5/8" x 18" x 18-1/2"	3/8"	7/8"	#6 & #11
104150	558170	CMQX-55U	R-22 TXV KIT B	19-5/8" x 18" x 20-1/2"	3/8"	7/8"	#6 & #11
104149	558168	CMQX-54U	R-22 TXV KIT B	19-5/8" x 18" x 18-1/2"	3/8"	7/8"	#6 & #11

Filter Kits		
104155	558171	For -53 and -54 Coils
104156	558177	For -55 Coils

Insulated Line Sets

Stock No.	Mfg. No.	Suction Line ID	Length	
103023	910866	5/8"	15'	Contains only holding charge f/2T
103024	910867	3/4"	15'	Contains only holding charge f/2.5T - 3.5T
103027	910870	3/4"	20'	Charged for Length > 15 ft. f/2.5T - 3.5T
103037	910871	7/8"	20'	Charged for Length > 15 ft. f/4T - 5T
103029	902893	3/4"	25'	Charged for Length > 15 ft. f/2 - 3T
103030	902892	7/8"	25'	Charged for Length > 15 ft. f/3.5T - 5T
103025	910872	3/4"	30'	Charged for Length > 15 ft. f/2 - 3T
103028	910873	7/8"	30'	Charged for Length > 15 ft. f/3.5 - 4T
103022	910875	7/8"	40'	Charged for Length > 15 ft. f/3.5 - 5T
103021	914761	3/4"	50'	Charged for Length > 15 ft. f/3.5 - 5T
103019	914526	7/8"	50'	Charged for Length > 15 ft. f/3.5 - 5T

NOTE: See "Outside Unit Installation Instructions" for factory-specified lineset.

Accessories

Stock No.	Mfg. No.	Accessories	For Use With:
103088	902084	Insulation Kit	3500 Models, EB-B
103011	902522	Wire Adapter Plug	3500 Models Coleman
103001	914154	H/C Thermostat	All Systems
103000	914838	Deluxe H/C T-Stat (Glass)	All Systems
103004	914832	HP Thermostat	
102999	914146	Sub-base for H&C Thermostat	All Systems
101200	912349	O-Rings, 5/8; 10/Pk.	
101201	912350	O-Rings, 3/4; 10/Pk.	
100924	911656	Stub Kit, 5/8 - 3/8	2 Ton
100925	911657	Stub Kit, 3/4 - 3/8	2.5 Ton - 3.5 Ton
100926	911658	Stub Kit, 7/8 - 3/8	4 Ton - 5 Ton
238174		Furnace Door Filter Kit (3 Retainers)	MGH, MSH, MBH
103082	910591	Furnace Door Filter Kit	Coleman
100598	903826	Metal Filter F/C3QA A-Coil	2-3.5 Ton (16" x 19-1/4")
100601	917416	Metal Filter F/C3QA A-Coil	4 Ton
100624	911328	Metal Filters F/C1QA A-Coil Only (2 ea)	2 to 3.5 T FE, CME, MCEF (16" x 23")
100625	911329	Metal Filters F/C1QA A-Coils Only	4 Ton FE, CME, MCEF

Continued on next page...

Split System Accessories

Accessories (Continued)

Stock No.	Mfg. No.	Accessories	For Use With:
103089	902039	Coil/Relay Adapter Package	3400, 4500
100602	914649	C5 Conversion Kit (054)	FE, E1, E2 & E3
100603	914539	C5 Conversion Kit (24-47)	FE, E1, E2 & E3
100604	914540	C5 Conversion Kit (48)	FE, E1, E2 & E3
100540	668348	Drain Kit	All Systems
231020	901344	Adapter Plug (Converts Blower 3-Pin)	Older M Series
103092	902828	A-Coil Shelf (PK6F Coleman)	EB-A, EB-B
100611	902908	Relay Box Bracket	
100607	224720	Hold Down Bracket	Only for A-Coils
103085	918476	Time Delay Relay	
100650	918762	Fos. Fuel Relay Kit f/Gas	
102077	913852	Outdoor T-Stat Kit	
104155	558171	Filter Kit f/ -53 and -54 Coils	
104156	558177	Filter Kit f/ -55 Coils	
103205	903092A	2 Wire Relay Kit	M1 Furnaces

Components for Specific Applications

These handy charts show what you need for specific models...

Nordyne Electric

FEHA Heating blower in the FEHA Series Electric furnace can be used for up to 2 tons of cooling. For over 2 tons, use the 103063 multi-speed blower		
103087	901699	Relay
103063	901282	Multi-Speed Blower
103001	914154	H & C T-stat
100603	914539	Conv. Kit
FEHB FEHB Series comes with a 2-speed blower that can be used for up to 3 tons of cooling. For 4 tons, use the 103063 multi-speed blower		
103087	901699	Relay
100626	901682	Insulation Kit
100603	914539	Conv. Kit
103001	914154	H & C T-stat
FEBB FEBB Series includes A/C Blower (2 to 4 tons)		
100603	914539	Conv. Kit
103001	914154	H & C T-stat
103087	901699	Relay Kit 5-Wire
E1EB/E2EB		
102999	914146	Subbase
100603	914539	Conv. Kit

E1EH 2.5 Ton to 3 Ton		
103048	902978	Relay
103001	914154	H & C Thermostat
100603	914539	Conv. Kit
103050	902807	Insulation Kit
E1EH 3.5 Ton to 4 Ton		
103048	902878	Relay
102999	914146	Subbase
103049	902805	Blower
103050	902807	Insulation Kit
100603	914539	Conv. Kit
E2EH • 2.5 to 3 Ton		
103048	902978	Relay
102999	914146	Subbase
100603	914539	Conversion Kit
103061	902991	Insulation Kit
E2EH • 3.5 to 4 Ton		
103048	902978	Relay
102999	914146	Subbase
100603	914539	Conversion Kit
103061	902991	Insulation Kit
103041	902993	Blower Assembly

Components for Specific Applications

These handy charts show what you need for specific models...

Nordyne MG Gas Furnaces

MGH		
103057	911030	Blower
238174		Filter Kit
103001*	914154	H & C Thermostat
MGHA-02, MMHA, MBHA, MSHA 2-3.5 T		
103007	901998	Blower
103010	901995	Relay
103001*	914154	H&C T-stat
MGHA-02, MMHA, MBHA, MSHA 4 T		
103008	901999	Blower
103010	901995	Relay
103001*	914154	H & C T-stat
MGHA-05 • 2.5 to 3.5 Ton		
103005	902809	Blower
103001*	914154	H&C Thermostat
MGHA-05 • 4 Ton		
103206	902898A	Relay
103006	902810	Blower
103001*	914154	H&C Thermostat

* 103000 Deluxe H&C T-stat (914838) may be substituted if desired

5 Ton Blower Assemblies

103040	902776	F/E1E
103060	902985	F/E2E
103065	903944	F/Coleman Gas
103044	903963	F/Coleman Elect. EB Motor & cap only to up- grade current 4T blower
103202	903890	F/M1 Gas Furnace

Components for Specific Applications

These handy charts show what you need for specific models...

Nordyne M1 Gas Furnaces

M1GH • 2 Ton		
102999	914146	Subbase
103206	902898A	Relay
M1GH • 2.5 to 3 Ton		
102999	914146	Subbase
103200	903412	Blower
103206	902898A	Relay
M1GH • 3.5 to 4 Ton		
102999	914146	Subbase
103201	903413	Blower
103206	902898A	Relay
M1GH • 5 Ton		
102999	914146	Subbase
103202	903414	Blower
103206	902898A	Relay

Coleman Electric

EB-A		
103087	901699	Relay
103089	902039	Coil Support Adapter
103001*	914154	H&C T-stat
103088	902084	Insulation Kit
EB-B		
103092	902828	Coil Relay Adapter Kit
103001*	914154	H&C T-stat
103088	902084	Insulation Kit

Coleman Gas Furnaces

DGRT-AUA/DGAT-BDA		
2 Ton to 3.5 Ton		
103007	901998	Blower
103010	901995	Relay
103001	914154	H&C T-stat
DGRT-AUA/DGAT-BDA, BDD		
4 Ton		
103008	901999	Blower
103009	901994	2W A/C Control (Relay)
103010	901995	5W A/C Control (Relay)
103001	914154	H&C T-stat
DGRT-AUB/DGAT-BDC		
2 Ton to 3.5 Ton		
103008	919999	Blower
103011	902522	Adpt. Plug
103001	914154	H&C T-stat
DGRT-AUB/DGAT-BDD		
2 Ton to 3.5 Ton		
103006	902810	Blower
103011	902522	Adpt. Plug
103001	914154	H&C T-stat
DGRT-AUB/DGAT-BDC		
4 Ton		
103008	911999	Blower
103011	902522	Adapter Plug
103001*	914154	H&C T-stat

* **103000**

Deluxe Heating & Cooling Thermostat
(914838) may be substituted if desired

Replacement Compressors

Compressors

Model/Size	2 ton	2.5 ton	3 ton	3.5 ton	4 ton	5 ton
S3QA-A	102060	102061	102042	102063	102048	102047
	912956	912957	914955	912958	917337	914928
MS3QA-A	102060	102061	102042	102063	102064	102047
	912956	912957	914955	912958	912959	914928
S3QA	102060	102061	102066	102063	102064	102047
	912956	912957	914499	912958	912959	914928
S1QA	102060	102061	102066		102105	*
	912956	912957	914499		910719	912960
S3QC		102031			102034	*
	913319	913320	913321	913322	913795	*
T3QA	102060	102061	102066	102063	102064	*
	912956	912957	914499	912958	912959	*
T1QA	102060	102061	102062	102063	102064	*
	912956	912957	910715	912958	912959	912960
T3QC	102038	102037	102036	102035	102034	*
	914653	914654	914655	914656	913795	*
P3RA	102060	102061	102042	102035	102034	102040
	912956	912957	914955	914656	917219	914926
P1RA	102060	102061	102062	102064	102045	*
	912956	912957	910715	912959	914741	*
Q3RA	102060	102061	102042	102063	102059	102040
	912956	912957	914955	912958	914749	914926
Q1RA			102036	102035		*
			914655	914656		*



Gas & Oil Furnaces

- Easy to light pilot on standing pilot models
- Improved, quieter operation
- Designed for easy access and serviceability
- Innovative burner with uniform flame pattern, extends life of heat exchanger
- Pawl latch door fastener for easy door removal and attachment
- Packaged with protective cover to prevent construction debris from entering flue during home assembly
- Heat exchanger can be removed without removing furnace cabinet from closet
- Easy to measure flue gas and temperature
- Improved Hot Surface Ignition control diagnostics
- Heat-only units have ventilation switch through door
- M1M- furnaces have timed blower operations for reliability
- Easy maintenance with one-piece air filter
- Meets new U.L. leakage requirements for combustion air and flue gas exit

NEW!

Furnace, Atmospheric Gas 56,000 to 90,000 Btu/h Heating

Stock #	Mfg. #	Model No.	Burner Type	Btu/h	AFUE	Wght.	W x D x H
232996	903204	M1GB-056AAW	Standing Pilot	56,000	75.0	151	56" x 19-3/4" x 23-3/4"
232997	903205	M1GB-070AAW	Standing Pilot	70,000	75.0	152	56" x 19-3/4" x 23-3/4"
232998	903206	M1GB-077AAW	Standing Pilot	77,000	75.0	148	56" x 19-3/4" x 23-3/4"
232999	903207	M1GB-090AAW	Standing Pilot	90,000	75.0	150	56" x 19-3/4" x 23-3/4"

Furnace, Atmospheric Gas 56,000 to 90,000 Btu/h W/Coil Cabinet & A/C Ready up to 3 Tons

Stock #	Mfg. #	Model No.	Burner Type	Btu/h	AFUE	Wght.	W x D x H
233000	903212	M1GB-056ABW	Standing Pilot	47,000	75.0	154	19-3/4" x 23-3/4" x 76"
233001	903213	M1GB-070ABW	Standing Pilot	57,000	75.0	154	19-3/4" x 23-3/4" x 76"
233002	903214	M1GB-077ABW	Standing Pilot	62,000	75.0	155	19-3/4" x 23-3/4" x 76"
233003	903215	M1GB-090ABW	Standing Pilot	72,000	75.0	155	19-3/4" x 23-3/4" x 76"

Furnace, Atmospheric Gas 56,000 to 90,000 Btu/h W/Coil Cabinet & A/C Ready up to 4 Tons

Stock #	Mfg. #	Model No.	Burner Type	Btu/h	AFUE	Wght.	W x D x H
233030	903216	M1GC-056ABW	Standing Pilot	47,000	75.0	154	19-3/4" x 23-3/4" x 76"
233031	903217	M1GC-070ABW	Standing Pilot	57,000	75.0	154	19-3/4" x 23-3/4" x 76"
233032	903218	M1GC-077ABW	Standing Pilot	62,000	75.0	155	19-3/4" x 23-3/4" x 76"
233033	903219	M1GC-090ABW	Standing Pilot	72,000	75.0	155	19-3/4" x 23-3/4" x 76"

Prices and specifications subject to change without notice

Furnace, Forced Draft Gas 56,000 to 90,000 Btu/h, Heating, A/C Relay

Stock #	Mfg. #	Model No.	Burner Type	Btu/h	AFUE	Wght.	W x D x H
233010	903224	M1MA-056AAW	Hot Sur. Ign.	56,000	82.0	137	19-3/4" x 23-3/4" x 56"
233011	903225	M1MA-070AAW	Hot Sur. Ign.	70,000	81.0	137	19-3/4" x 23-3/4" x 56"
233015	903230	M1MB-077AAW	Hot Sur. Ign.	77,000	80.0	138	19-3/4" x 23-3/4" x 56"
233016	903231	M1MB-090AAW	Hot Sur. Ign.	90,000	80.0	139	19-3/4" x 23-3/4" x 56"

56,000 to 90,000 Btu/h With Coil Cabinet & A/C Ready up to 3 Tons

Stock #	Mfg. #	Model No.	Burner Type	Btu/h	AFUE	Wght.	W x D x H
233005	903236	M1MB-056ABW	Hot Sur. Ign.	56,000	80+	152	19-3/4" x 23-3/4" x 76"
233006	903237	M1MB-070ABW	Hot Sur. Ign.	70,000	80+	153	19-3/4" x 23-3/4" x 76"
233007	903238	M1MB-077ABW	Hot Sur. Ign.	77,000	80+	149	19-3/4" x 23-3/4" x 76"
233008	903239	M1MB-090ABW	Hot Sur. Ign.	90,000	80+	151	19-3/4" x 23-3/4" x 76"

56,000 to 90,000 Btu/h, A/C Ready up to 3 Tons

Stock #	Mfg. #	Model No.	Burner Type	Btu/h	AFUE	Wght.	W x D x H
233013	903228	M1MB-056AAW	Hot Sur. Ign.	56,000	80+	152	19-3/4" x 23-3/4" x 56"
233014	903229	M1MB-070AAW	Hot Sur. Ign.	57,000	80+	153	19-3/4" x 23-3/4" x 56"

56,000 to 90,000 Btu/h With Coil Cabinet & A/C Ready up to 4 Tons

Stock #	Mfg. #	Model No.	Burner Type	Input Btu/h	AFUE	Wght.	W x D x H
232985	903240	M1MC-056ABW	Hot Sur. Ign.	56,000	80	171	19-3/4" x 23-3/4" x 76"
232986	903241	M1MC-070ABW	Hot Sur. Ign.	70,000	80	172	19-3/4" x 23-3/4" x 76"
232987	903240	M1MC-077ABW	Hot Sur. Ign.	77,000	80	171	19-3/4" x 23-3/4" x 76"
232988	903243	M1MC-090ABW	Hot Sur. Ign.	90,000	80	171	19-3/4" x 23-3/4" x 76"

Furnace, Gas Gun 66,000 & 86,000 Btu/h, Heating, A/C Relay

Stock #	Mfg. #	Model No.	Burner Type	Btu/h	AFUE	Wght.	W x D x H
233018	903270	M1BB-066AAW	Pressure w/ Elect. Ignition	56,000	82.2	149	19-3/4" x 24" x 56"
233019	903255	M1BB-086AAW*	Pressure w/ Elect. Ignition	71,000	81.0	150	19-3/4" x 24" x 56"

* A/C ready up to three tons

Furnace, Oil Gun 66,000 and 86,000 Btu/h, Heating, A/C Relay

Stock #	Mfg. #	Model No.	Burner Type	Btu/h	AFUE	Wght.	W x D x H
233020	903269	M1SB-066AAW	Pressure w/ Spark Ignition	57,000	84.0	159	19-3/4" x 24" x 56"
233021	903249	M1SB-086AAW*	Pressure w/ Spark Ignition	72,000	82.0	160	19-3/4" x 24" x 56"
233022	904505	M1SB-066ABW	Pressure w/ Spark Ignition	57,000	84.0	185	20" x 24" x 76"**
233023	903251	M1SA-086ABW	Pressure w/ Spark Ignition	72,000	82.0	187	20" x 24" x 76"**

* A/C ready up to three tons

** With coil cavity

Prices and specifications subject to change without notice

M1 Series

Roof Jack Components - "Integrated" & Telescoping

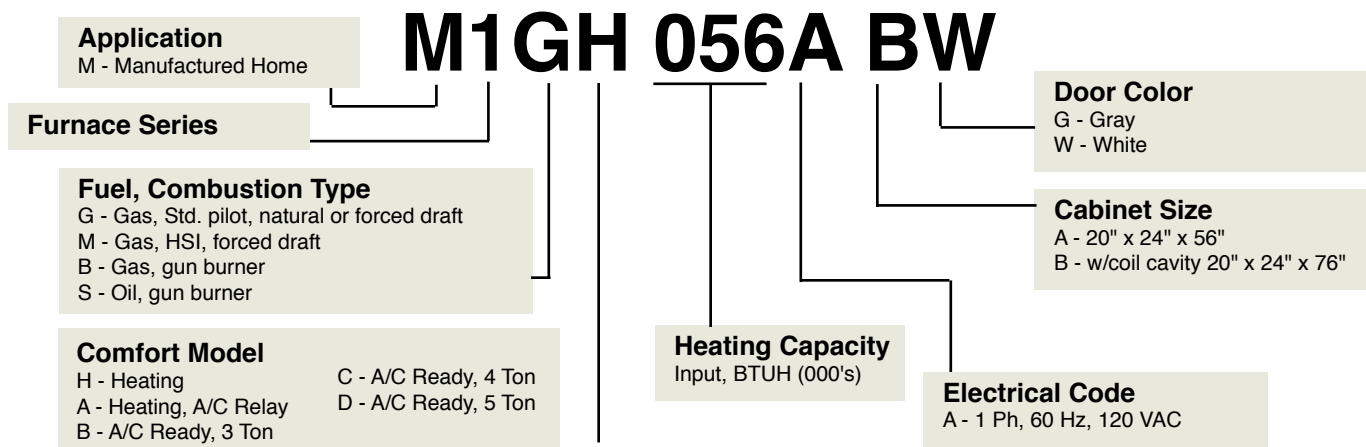
Stock No.	Mfg. No.	Model No.	Flashing Type	Dimensions	Flue Pipe Dia.	Pitch	For Use With:
237948	903658	FAW1523-0A	Flat	15" min. - 23" max.	5"		All Miller/Intertherm M1 Series Furnaces
237949	903659	FAW2135-0A	Flat	21" min. - 35" max.	5"		
237951	903660	FAW2747-0A	Flat	27" min. - 47" max.	5"		
230077	903662	SAW2135-2A	Slope	21" min. - 35" max.	5"	2.5/12	
237956	903663	SAW2747-2A	Slope	27" min. - 47" max.	5"	2.5/12	
237954	903664	SAW3563-4A	Slope	35" min. - 63" max.	5"	2.5/12	
237955	903666A	SAW5195-4A	Slope	51" min. - 95" max.	5"	4.0/12	
237958	901943			Ceiling Ring			

Accessories, M Series Furnaces

Stock No.	Mfg. No.	Description
103200	903412	M1 Gas Blower, 2-3 Ton
103201	903413	M1 Gas Blower, 2-4 Ton
103202	903414	M1 Gas Blower, 2-5 Ton
103205	903092A	2-Wire Relay Kit
103206	902898A	4-7 Wire Relay Kit
237941	911969A	Coil Cabinet White* F/MGHA 24"D x 19-3/4"W x 20"H
238128	901996	Auto Damper F/MGHA & M1 Series
238124	901987A	Duct Connector 8.8"
238125	901990A	Duct Connector 6.25"

Stock No.	Mfg. No.	Description
238126	901988A	Duct Connector 2"
237960	903656	Roof Cap
237966	901935	5" Interior Ext. 10" LG
237968	901937	5" Exterior Ext. 16" LG
238362	901939	3.5" x 12" Slant Deck Kit
238350	903893	2.5" x 12" Slant Deck Kit
230140	901986	Base Adpt. for MAC
238127	901989A	Duct Connector 4.25"

*Both 237940 & 237941 will fit the new M1 furnace

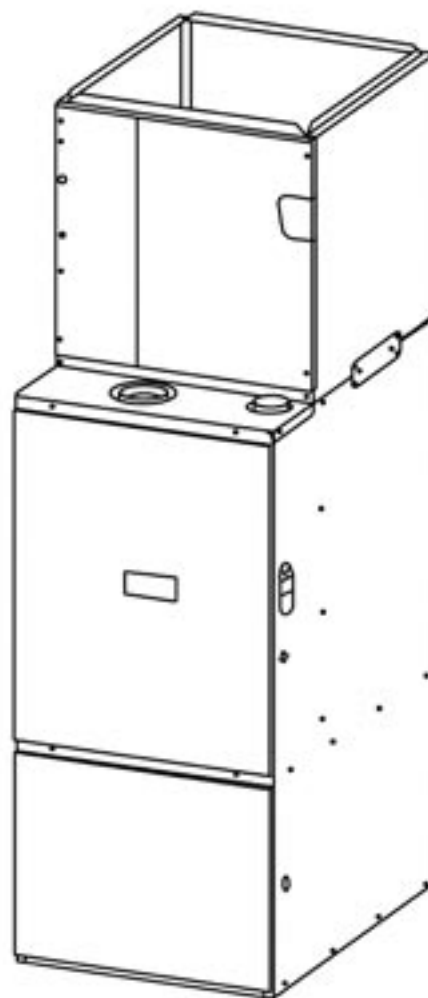


Prices and specifications subject to change without notice

High Efficiency/Direct Vent Condensing Upflow Gas Furnace M2RC

Induced Draft — 90+ AFUE Input
80,000 & 100,000 Btuh

Especially designed for manufactured housing. May be installed in a utility room or closet. ETL design certified for use in the U.S. and Canada.

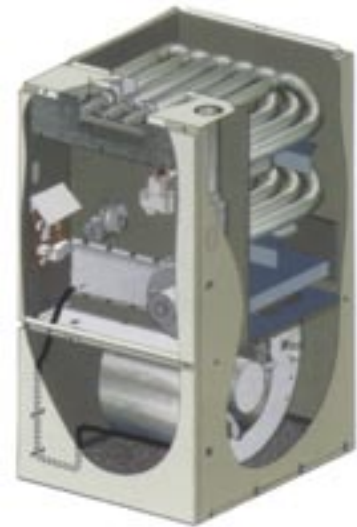


- 100% fired and tested — all units and each component (both mechanical and electrical) are tested on the manufacturing line
- Clean and quiet operation — due to the unique design of in-shot burners, location of inducer and use of insulation
- Fixed 30-second blower delay at burner start-up assures a warm outlet air temperature at furnace start-up. Adjustable blower off settings
- Fixed 30-second post purge increases life of heat exchanger
- Dependable hot surface ignitor — Innovative application of an appliance-type ignitor with a 20-year history of reliability, assures no call-backs because of handling.
- Tubular primary heat exchanger — Heavy aluminized steel heat exchanger assures a long life.
- Stainless steel secondary heat exchanger assures a long life.
- 90-second fixed cooling cycle blower-off delay (TDR) increases cooling performance when matched with a NORDYNE coil
- Approved for direct vent furnace, category IV venting system — May be vertically or horizontally vented using a two-pipe system for maximum flexibility in installation.
- Multi-speed direct drive blower — Gives a wide range of cooling capacities. 40VA transformer included.
- LP convertible — Simple burner orifice and gas valve regulator change for ease of convertibility.
- Diagnostic light flashes identify limit failure, pressure switch failure and improper ground and polarization — easy troubleshooting.
- 3 amp fuse protection against high and low voltage shorts; protects transformer and control board.
- Low voltage terminal board for easy field wiring.

Stock No.	Mfg. No.	Model No.	Btu/h Cooling	Shipping Weight
233040	903570	M2RC 08 A-16BN	80,000	160
233041	903572	M2RC 100A-16BN	100,000	168
237942	914958	Coil Box		

High Efficiency/Direct Vent Condensing Downflow Gas Furnace M3RL

Induced Draft — 90+ AFUE Input
60,000 & 80,000 Btuh



- 100% fired and tested — all units and each component (both mechanical and electrical) are tested on the manufacturing line
- Clean and quiet operation — due to the unique design of in-shot burners, location of inducer and use of insulation
- Fixed 30-second blower delay at burner start-up assures a warm outlet air temperature at furnace start-up. Adjustable blower off settings
- Fixed 30-second post purge increases life of heat exchanger
- Dependable hot surface ignitor — Innovative application of an appliance-type ignitor with a 20-year history of reliability, assures no call-backs because of handling.
- Tubular primary heat exchanger — Heavy aluminized steel heat exchanger assures a long life.
- Stainless steel secondary heat exchanger assures a long life.
- 90-second fixed cooling cycle blower-off delay (TDR) increases cooling performance when matched with a NORDYNE coil
- Sealed combustion approved for direct vent furnace, category IV venting system — May be vertically or horizontally vented using a two-pipe system for maximum flexibility in installation.
- Multi-speed direct drive blower — Gives a wide range of cooling capacities. 40VA transformer included.
- LP convertible — Simple burner orifice and gas valve regulator change for ease of convertibility.
- Diagnostic light flashes identify limit failure, pressure switch failure and improper ground and polarization — easy troubleshooting.
- 3 amp fuse protection against high and low voltage shorts; protects transformer and control board.
- Low voltage terminal board for easy field wiring.

The M3RL will fit in the same footprint and uses the same plenum as the M1 furnaces. The design of the M3RL allows for direct substitution in place of the M1 series furnaces.

Stock No.	Mfg. No.	Model No.	Btu/h Cooling
233036	903954	M3RL-060A-AW (Short)	60,000
233037	903955	M3RL-080A-AW (Short)	80,000
233038	903956	M3RL-060A-BW (Tall)	60,000
233039	903957	M3RL-080A-BW (Tall)	80,000

Stock	Mfg.	Description	Stock	Mfg.	Description
233107	632389	Pressure Switch f/M3RL-060	233118	661049	Orifice Nat. f/M3RL-080
233108	632390	Pressure Switch f/M3RL-080	233119	661057	Orifice L.P. f/M3RL-060
233111	626498	Flame Roll-Out Switch M3	233121	661078	Orifice L.P. f/M3RL-080
233112	636499	Vent Safety Switch M3	233122	903982	Heat Exch. Assy f/M3RL-060
233113	626484	Switch Limit 3" Busbar 160	233123	903983	Heat Exch. Assy f/M3RL-080
233115	632125	Switch, Blower Door, f/M3RL-060	233124	626497	Aux. Limit 60T11 f/M3RL-080
233116	903979	Blower Inducer w/Gasket, f/M3RL-060	237963	904106	Furn. Vent Transition Kit
233117	661050	Orifice Nat. f/M3RL-060	231137	903578	Concentric Flue Kit

UltraFlex E3EB



Electric Furnaces, A/C Ready

- Four-speed capacity up to 4T A/C
- Improved with quieter operation
- New plastic electrical knockout covers for easy removal
- Uses circuit breakers, not old-fashioned fuses
- Bottom-wire entry for easier, more economical installation
- E2EB models have A/C transformer and A/C or H/P relay

Stock No.	Mfg. No.	Model No.	Fuel
238091	904130	E3EB-012H	Electric
238092	904131	E3EB-015H	Electric
238093	904132	E3EB-017H	Electric
238094	904133	E3EB-020H	Electric
238095	904134	E3EB-023H	Electric

Accessories

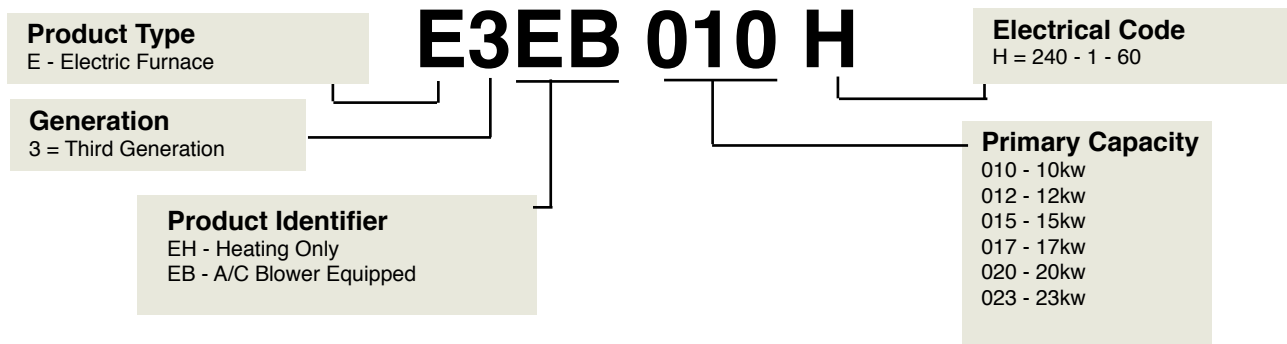
Stock No.	Mfg. No.	Description	For Use With:
238068	902989	Top Grill & Frame White (20" x 27")	E3E Models
237801	100-401	Heat Thermostat Only (w/Thermometer)	All Furnaces
238129	624524	Heat Thermostat Only	All Furnaces
238124	901987	Duct Connector 11-1/4" x 13-1/2" x 14/16"	E3E Models
238125	901990	Duct Connector 11-1/4" x 13-1/2" x 6-1/4"	E3E Models
238126	901988	Duct Connector 11-1/4" x 13-1/2" x 2"	E3E Models
237943	901083	Automatic Furnace Damper	E2/E3 Models
238019	913874	4-Pole Single Circuit 1 Phase Adapter Kit	E2/E3 Models
103060	902985	Nominal 5 Ton Blower	E3E Models
103061	902991	Insulation Kit	E3E Models
103048	902987	Relay Kit 4-7 Wire	E2 and E3 Models
103059	903091	Relay Kit 2 Wire	E3E Models
100602	914649	3 Coil Conversion Kit (054)	E2/E3 Models
100603	914539	C-3 Conversion Kit (24-47)	E2/E3 Models
103041	902993	4 Ton Blower	E3E Models
103058	903001	HP T-Stat Connector	E3 Models
237938	902992	Upflow Stand	F/E2 furnace
237939	902976	Coil Cabinet	F/E2 furnace
237936	903891	Down-Flo Coil Box	F/E2 furnace
100598		Filter F/24-47 Coil 2/Pkg.	

Prices and specifications subject to change without notice

E2E* Conversion to E3E* 15 KW Field Replacement Chart

OLD MODEL		REPLACEMENT MODEL		
Description	Single Pack	Description	Single Pack	Blevins #
E2EH-015HB	902963B	E2EH-015HBR	904154	S.O.
E2EB-015HB	902969C	E2EB-015HBR		
E2EH-015HR	903965	E3EH-015H	904131	238092
E2EB-015HR	903964C	E3EB-015H		
E2EH-015HA	902963A	E3EH-015H	904131	238092
E2EB-015HA	902969A	E3EB-015H		

- The E2E* - 015HBR replaces the existing E2E*-015HB
- The E3E* - 015H replaces the existing E2E* - 015HR and E2E*-015HA. The E2E* -015HR will be discontinued.



CMF Series

MILLER



Convertible Furnace Power Oil-Gas 65,000, 80,000 & 100,000 Btu/h

CMF Series is a classic and time-honored design, a versatile and reliable product incorporating a multi-speed blower and multi-fired burner. Classic design coupled with new technology make the CMF today's choice for a multi-application fossil fuel heating appliance.

- Three-speed, custom fit and painted blower configuration for efficient, quiet operation at all firing rates
- Titanium kilned process technology used in heat exchanger steel for extended life and durability
- Re-sized auxiliary limit switch for reliable cycling
- Beckett oil burners are standard equipment
- Classic 18" width dimension for those tight replacement jobs
- MA 100, MA 200, and CB 200 bases for versatility

Heat Only Furnaces - Standard Flue Vent Size: 4"

Stock#	Mfg. #	Model #	Burner Type	Btu/h Input	Btu/h Output	CFM @ .3	W x D x H	Weight
238000	903097	CMF 80PG	Gas Gun	80,000	64,000	800	18" x 24-1/4" x 57"	183
238001	903098	CMF 80PO	Oil Gun	80,000	64,000	800	18" x 24-1/4" x 57"	167
230010	-	CMF 65PG	Gas Gun	65,000	52,000	600	Consists of 238000 + Conversion Kit 238002	
230011	-	CMF 65PO	Oil Gun	65,000	54,000	600	Consists of 238001 + Conversion Kit 238003	
230014	-	CMF 100PG	Gas Gun	95,000	76,000	900	Consists of 238000 + Conversion Kit 238004	
230015	-	CMF 100PO	Oil Gun	100,000	81,000	900	Consists of 238001 + Conversion Kit 238005	

Conversion Kits

Stock No.	Mfg. No.	Model No.	BurnerType	Kit Includes:
238002	903099	CMF80 to 65 PG	Gas Gun	Labels, orifices and air cone
238003	903100	CMF80 to 65 PO	Oil Gun	Labels and nozzles
238004	903101	CMF80 to 100 PG	Gas Gun	Labels and orifices
238005	903102	CMF80 to 100 PO	Oil Gun	Labels, nozzles and burner head

Accessories

Stock #	Mfg. #	Description	For Use With:
238218	901696	CB-200-A Cottage Base	All CMF Furnaces
238355	103703000	MA-200 Base Kit	All CMF Furnaces
238361	800011013	MA-100 Universal Base Kit	All CMF Furnaces
238221	902095	Auto. Furnace Base Damper	All CMF Furnaces
238350	100447000	RA-S2.5 Roof Jack Adaptor	All Roof Jacks
238349	100448000	RA-S3.0 Roof Jack Adaptor	All Roof Jacks
238352	101561000	RA-S3.5 Roof Jack Adaptor	All Roof Jacks
238353	104060000	SRJ-1 Standard Roof Jack - 12"	All CMF w/12" or less roof cavity
238354	104060003	SRJ-2 Standard Roof Jack - 24"	All CMF w/13" to 24" roof cavity
238358	104060015	SRJ-3 Standard Roof Jack - 36"	All CMF w/25" to 36" roof cavity
238359	104060018	SRJ-4 Standard Roof Jack - 48"	All CMF w/37" to 38" roof cavity
238360	104060024	SRJ-5 Standard Roof Jack - 60"	All CMF w/49" to 59" roof cavity
238369	104360001	Roof Jack Extension 4" x 18"	
238351	103947002	28" Vent Package	All CMF w/7' ceiling height
238356	103947004	34" Vent Package	All CMF w/7'6" ceiling height
238357	103947005	40" Vent Package	All CMF w/8' ceiling height
238367	901697	Offset Flue Pipe - 4" Diameter	All CMF Furnaces
238173	BGF-5	Filter-Replacement	
		1/4"x 16-1/2"x 26-1/2"	CMF and CMH Furnaces
237801	100-401	Heating Only Thermostat	All Miller Gas & Oil Furnaces
238129	624524	Heating Only Thermostat	All Furnaces
238006	903126	Replacement Blower - 3 Speed	All CMF Convertible Series
238365	901941	Slant Deck Kit	



Manufactured Housing Product Protection Plan

The NORDYNE Manufactured Housing Product Protection Plan is a program that may be purchased by the consumer through a NORDYNE distributor and their installing dealers and/or service companies.

The program covers NORDYNE Manufactured Housing products and extends a specified coverage to certain equipment beyond the terms of the limited warranty. Each plan is subject to the provisions as stated in the plan.

The plan is to be sold within 1 year of installation date of the equipment being covered in the plan. Protection plans will not cover prior warranty labor claims. All existing warranties remain in effect.

100145 Four-Year Compressor Warranty

One-Year Parts & Labor Protection Plans

- 100125** Split System A/C
- 100126** Split System A/C and Furnace
- 100127** Split System HP
- 100128** Split System HP and Furnace
- 100129** Package A/C
- 100130** Package HP
- 100131** Gas/Electric
- 100132** Furnace Only

Five-Year Parts & Labor Protection Plans

- 100142** Furnace
- 100143** Split System A/C Condensing Units* & Packaged A/C
- 100144** Split System H/P Condensing Units* & Packaged H/P
- 100146** Gas/Electric Package Units
- 100147** Furnace & A/C (Split or Packaged)
- 100148** Furnace & Heat Pump (Split or Packaged)

Ten-Year Parts & Labor Protection Plans

- 100149** Split System A/C Condensing Units*
- 100150** Split System H/P Condensing Units*
- 100151** Packaged A/C
- 100152** Packaged H/P
- 100153** Gas/Electric Package Units
- 100154** Furnace
- 100155** Furnace & A/C (Split or Packaged)
- 100156** Furnace & Heat Pump (Split or Packaged)

SPECIAL NOTE:

The plan starts upon acceptance by NORDYNE and continues up to the end of the plan from the original date of installation of product included in this plan.

Parts will be replaced from your authorized NORDYNE distributor for the length of the program.

*The Nordyne evaporator coil is covered when installed at the same time as condensing unit.

Prices and specifications subject to change without notice



GE 230/208 Volt Built-In Heat and Cool Unit

- ◆ 11,600/11,400 BTU
- ◆ 11,600/9480 BTU heat
- ◆ 3680/3020 Watts heat
- ◆ 9.5/9.5 EER
- ◆ 230/208 Volts
- ◆ Mechanical Controls
- ◆ Variable Position Thermostat
- ◆ 4-Way Air Direction
- ◆ Up-front Washable Air Filter
- ◆ 2 Cool/2 Heat/2 Fan Only Speeds
- ◆ Cameo White

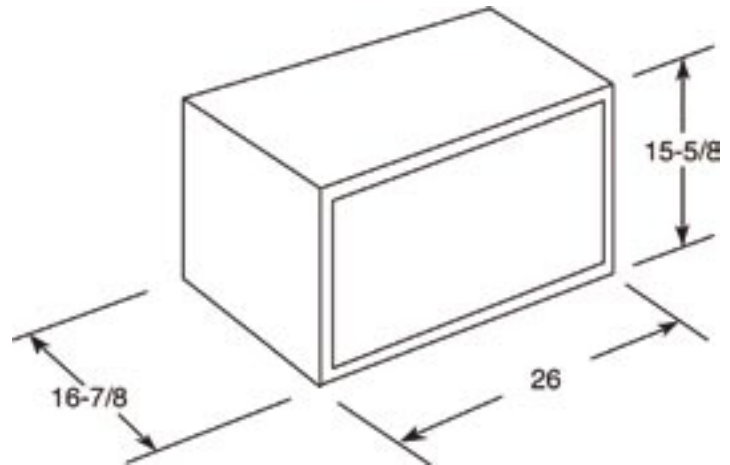
NEW!



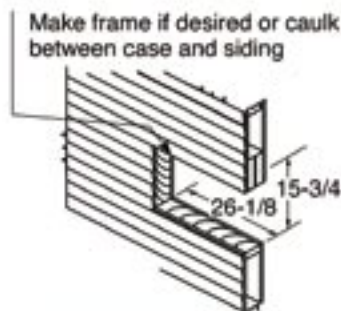
Wall Case Dimensions

Height: 15-5/8"
Width 26"
Depth: 16-7/8"

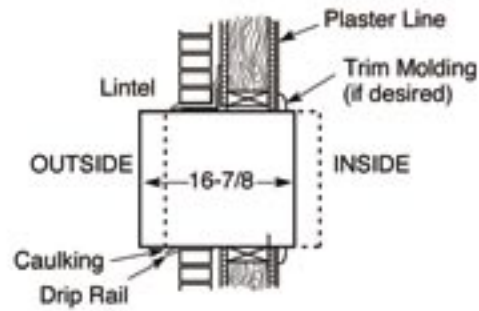
143200 Heat/Cool Unit
143201 Sleeve



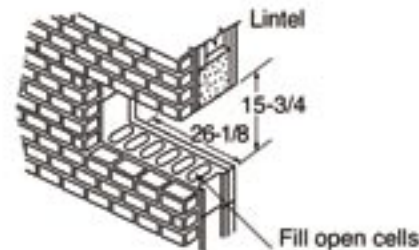
Installation



Frame Construction



Flexible Mounting Position

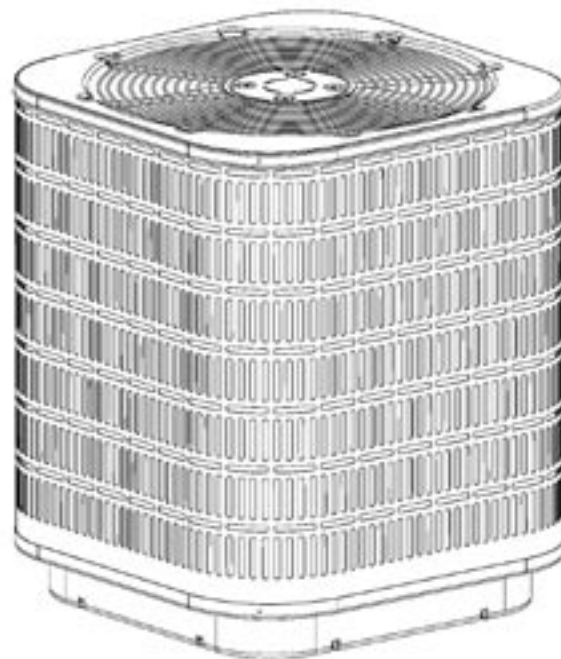


Brick Block and Brick Frame Construction

Broan HVAC for Modular Housing

DS5BD Series High Efficiency Split System Air Conditioner 13 SEER

BROAN[®]
HEATING AND COOLING SYSTEMS



The DS5BD Series of air conditioners offers exceptional performance. The unit, when combined with our engineered coils or air handlers, offers a full line of quality, split system cooling equipment. The DS5BD is rated at 13 SEER when matched with our B5DM air handler and C5BA coils. When matched with our variable speed air handler, or our variable speed blower kits, the DS5BD is rated up to 14 SEER. Units are ideally sized for slab or rooftop mounting.

- **Durable, Attractive Cabinet** — Designed using galvanized steel with a polyester urethane finish. The 950 hour salt spray finish is 1.5 mil thick and resists corrosion 50% better than comparable units.
- **Copper Tube/Aluminum Fin Coils** — Both indoor and outdoor coils are designed to optimize heat transfer, minimize size and cost, and increase durability and reliability.
- **Permanently Lubricated Motor** — A heavy-duty PSC motor for long lasting reliability and quiet operation. Requires no maintenance and is completely protected from rain and snow.
- **Full Service Valves** — These brass valves are easily accessible and simplify servicing of the refrigeration system.
- **Steel Guard™** — Durable metal guard protects the coil from yard hazards and extreme weather.
- **Removable Top Grille Assembly** — Allows ease of service from the top without disconnecting fan motor leads.
- **One Piece Top/Orifice** — Designed for maximum airflow and quiet operation.
- **2-1/2" Pedestal Base** — The sturdy base keeps the bottom of the coil out of harm's way. Secondly, the base has weep holes along the edge to allow the water from rain to flow away from the unit.
- **Easy Compressor and Control Access** — Designed to make servicing easier for the contractor, access panels are provided to all controls and the compressor from the side of the unit.
- **Warranty** — The best in the industry:
 - 5 Year Limited Parts
 - 2 Year Mileage
 - 2 Year Labor

Stock No.	Mfg. No.	Model No.	Total Amps	Delay Fuse Max.	Refrig. Oz.	Dimensions Width x Depth x Height*	Ship. Wght.
104950	918860D	DS5BD-018K	8.9	15	80	22-1/2" x 22-1/2" x 30-1/2"	150
104951	918861D	DS5BD-024K	9.3	20	104	22-1/2" x 22-1/2" x 34-1/2"	170
104952	918862D	DS5BD-030K	11.8	25	134	30-1/2" x 30-1/2" x 34-1/2"	180
104953	918863D	DS5BD-036K	14.4	30	138	30-1/2" x 30-1/2" x 38-1/2"	190
104954	918864D	DS5BD-042K	17.8	35	170	30-1/2" x 30-1/2" x 42-1/2"	230
104955	918865D	DS5BD-048K	22.9	45	147	30-1/2" x 30-1/2" x 42-1/2"	230

Prices and specifications subject to change without notice

Split System Air Conditioner Evaporator "A" Coil

Stock No.	Mfg. No.	Model No.	Dimensions		
			L	W	H
104960	919179	C5BA-T24C-A	19-1/2"	18-1/2"	20"
104961	919181	C5BA-T30C-A	19-1/2"	18-1/2"	20"
104962	919182	C5BA-T24C-B	19-1/2"	18-1/2"	20"
104963	919185	C5BA-T36C-B	19-1/2"	18-1/2"	20"
104964	919186	C5BA-T42C-B	19-1/2"	18-1/2"	20"
104965	919187	C5BA-T48C-B	19-1/2"	18-1/2"	24"
104967	919188	C5BA-T48C-C	19-1/2"	18-1/2"	24"
104968	919190	C5BA-T60C-C	19-1/2"	18-1/2"	20"

Insulated Line Sets

NOTE: See "Outside Unit Installation Instructions" for factory-specified lineset.

Stock No.	Mfg. No.	Suction Line ID	Length	
103023	910866	5/8"	15'	Contains only holding charge f/2T
103024	910867	3/4"	15'	Contains only holding charge f/2.5T-3.5T
103027	910870	3/4"	20'	Charged for Length > 15 ft. f/2.5T - 3.5T
103037	910871	7/8"	20'	Charged for Length > 15 ft. f/4T - 5T
103029	902893	3/4"	25'	Charged for Length > 15 ft. f/2 - 3T
103030	902892	7/8"	25'	Charged for Length > 15 ft. f/3.5T - 5T
103025	910872	3/4"	30'	Charged for Length > 15 ft. f/2 - 3T
103028	910873	7/8"	30'	Charged for Length > 15 ft. f/3.5 - 4T
103022	910875	7/8"	40'	Charged for Length > 15 ft. f/3.5 - 5T
103021	914761	3/4"	50'	Charged for Length > 15 ft. f/3.5 - 5T
103019	914526	7/8"	50'	Charged for Length > 15 ft. f/3.5 - 5T

Accessories

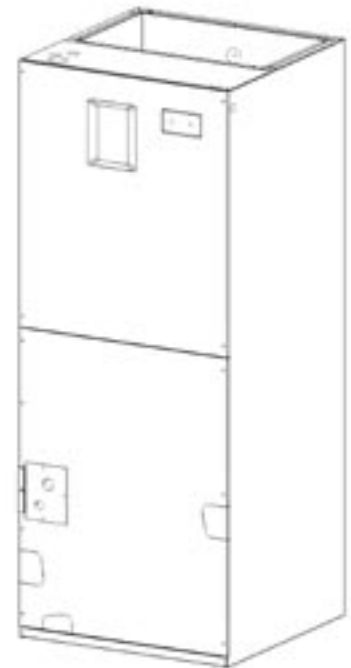
Stock No.	Mfg. No.	Model No.	
101107	912933	Start Assist Kit	<i>Provides additional starting torque for the compressor motor when operating with low line voltage or high operating temperatures</i>
103085	911758	Fan Delay Kit (TDR)	

Broan HVAC for Modular Housing



B5BM Series Air Handler 13 SEER

The B5BM Series of air handlers, when combined with our heat pump or air conditioner, offer a full line of quality split system heating and cooling equipment.



- **Durable, Attractive Cabinet** — Designed using galvanized steel with a polyester urethane finish. The 950 hour salt spray finish resists corrosion 50% better than comparable units. The plastic drain pan is corrosion-resistant.
- **Multi-Poised** — Can be used in horizontal, upflow, downflow and vertical applications.
- **Ease of Service** — Plug-in wire connections and built-in filter rack makes the air handler easy to service.
- **Multi-Speed** — Gives flexibility of installation.
- **Plug-in Heater Kits** — Available in 5kw - 30kw (not for use in 115 volt units)
- **Circuit Board** — Incorporating blower time delay relay, low voltage terminal strip and heat-strip sequencing.
- **Air Handler Control Board** — Controls time-sequencing of heat stages with field selectable sequence timing.
- **Breaker Accessibility** — Breaker accessible from front of unit when heater is applied.
- **No Fasteners on Sides or Back** — Smooth surfaces for ease of installation.
- **Cabinet Insulation** — 1" insulation with an R-value of 4.2 contributes to quiet operation and prevents cabinet sweating in difficult applications.
- **Warranty** — The best in the industry:
 - 5 Year Limited Parts
 - 2 Year Mileage
 - 2 Year Labor

Stock No.	Mfg. No.	Model No.	Dimensions
			L x W x H
104650	904240	B5BM - 024K	22" x 19-3/4" x 43-1/2"
104651	904239	B5BM - 030K	22" x 19-3/4" x 43-1/2"
104652	904243	B5BM - 036K	22" x 19-3/4" x 43-1/2"
104653	904244	B5BM - 042K	22" x 19-3/4" x 49-1/2"
104654	904245	B5BM - 048K	22" x 22-1/2" x 56"

Important Note on new H6 Heater Kits

- Will not be backward compatible
- Will continue to product H4 heater kits in low volume for service parts

Accessories

Stock No.	Mfg. No.	Description	For Use with
102528	917342	Downflow Adaptor Kit	Cabinet Size A (14-1/4" Width)
102525	919321	Downflow Adaptor Kit	Cabinet Size B (19-3/4" Width)
102526	919322	Downflow Adaptor Kit	Cabinet Size C (22-1/2" Width)
238019	913874	Single Circuit Adaptor for 2 Circuit Breakers	All models
101040	913556	Single Circuit Adaptor for 3 Circuit Breakers	Cabinet Size C (22-1/2" Width)
102535	904412	240 V Single-Phase Heater Kit Application	With Breakers, All Models
102536	904414	240 V Single-Phase Heater Kit Application	030K-(A/B), 036K-B, 042K-B, 048K-B, 060K-C

Prices and specifications subject to change without notice

Broan HVAC for Modular Housing

FG6RC Series



High Efficiency/Direct Vent or Non-Direct Vent Condensing Upflow/Horizontal Gas Furnace Induced Draft - 92+ AFUE

High efficiency upflow gas furnace may be installed free standing in a utility room, basement or enclosed in an alcove or closet. With kit, it converts easily to horizontal application. The extended flush jacket provides a pleasing "appliance appearance." Design certified by the American Gas Association (AGA) Laboratories and the Canadian Gas Association (CGA) Laboratories. Direct vent, draft inducer, pressure switch; redundant main gas control; hot surface ignition; timed On/Off blower controls (TDR); 40VA transformer for air conditioner application; limit controls; direct drive motor; all models can be converted to use L.P. (propane gas). Factory approved kits ONLY must be used and are available as an optional accessory.

- **100% fired and tested** — All units and each component (mechanical and electrical) are tested on the manufacturing line.
- **Best packaging in the industry** — Unique design assures product will arrive to the homeowner dent-free.
- **Clean and quiet operation** — Due to the unique design of in-shot burners, location of inducer and use of insulation.
- **Fixed 30-second post purge** — Increases the life of heat exchanger.
- **Dependable, hot surface ignitor** — Innovative application of an appliance type ignitor with a 20-year history of reliability, assures no call-backs because of handling.
- **Color-coded wire harness** — Designed to fit the components, all with quick-connect fittings for ease of service and replacement.
- **Tubular primary heat exchanger** — Heavy gauge aluminized steel heat exchanger assures long life.
- **Stainless steel secondary heat exchanger** — assures long life.
- **90-second fixed cycle blower-off delay (TDR)** — increases cooling performance when matched with a NORDYNE coil.
- **Approved for direct vent furnace, category IV venting system** — may be vertically or horizontally vented using either a one-pipe or two-pipe system for maximum flexibility in installation.
- **High altitude capability** — without use of additional kits for natural gas.
- **Variable speed blower kit** — available to maximize air conditioner and heat pump efficiency. On selected units, SEER ratings up to 14 and HSPF ratings up to 8.5 are ARI listed.
- **Multi-speed direct drive blower** — Designed to give a wide range of cooling capacities. 40VA transformer included.
- **LP convertible** — simple burner orifice and regulator spring change for ease of convertibility.
- **Factory installed drain system** — for reliable performance.
- **Diagnostic light flashes identify limit failure, pressure switch failure and improper ground and polarization** — for easy troubleshooting.
- **Incorporates integrated control board** — with connections for electronic air cleaner, humidifier and twinning.
- **3 amp fuse** — protection against low voltage shorts; protects transformer and control board.
- **Low voltage terminal board** — for easy field wiring.
- **Warranty** — The best in the industry:
 - 5 Year Limited Parts
 - 2 Year Mileage
 - 2 Year Labor
 - Limited Lifetime Heat Exchanger Warranty to Original Owner

Stock No.	Mfg. No.	Model No.	Btu/h Cooling	Btu/h Heating	AFUE Rating	Dimensions Width x Depth x Height*	Ship. Wght.
235000	903752F	FG6RC-040C-08A	40,000	37,000	92.1	14-1/4" x 27-5/8" x 43-3/4"	133
235001	903044F	FG6RC-040C-12A	40,000	37,000	92.1	14-1/4" x 27-5/8" x 43-3/4"	133
235002	903045F	FG6RC-060C-12A	60,000	55,000	92.1	14-1/4" x 27-5/8" x 43-3/4"	140
235004	903753F	FG6RC-080C-12B	80,000	73,000	92.1	19-3/4" x 27-5/8" x 43-3/4"	172
235003	903046F	FG6RC-080C-16B	80,000	73,000	92.1	19-3/4" x 27-5/8" x 43-3/4"	172
235005	903047F	FG6RC-100C-16B	100,000	92,000	92.1	19-3/4" x 27-5/8" x 43-3/4"	180
235006	903048F	FG6RC-120C-16C	120,000	110,000	92.1	22-1/2" x 27-5/8" x 43-3/4"	204
235007	903049F	FG6RC-120C-20C	120,000	110,000	92.1	22-1/2" x 27-5/8" x 43-3/4"	204

Prices and specifications subject to change without notice

04 Series Oil Furnace for Modular Housing



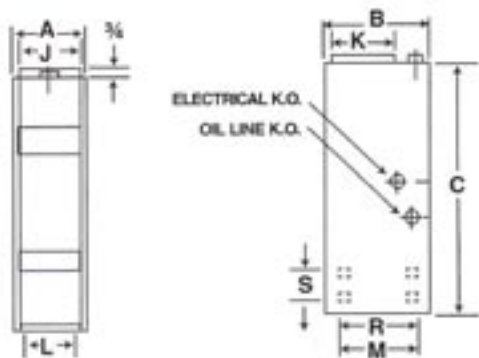
The 04 Series Oil Furnace combines time proven design in the classic Low Boy, High Boy and Downflow configurations. The High Boy and Downflow models can be configured for horizontal applications. The units are multi-fired for a wide range of outputs (.50 to 1.20 GPH depending on model). Classic design, versatility and reliability are important attributes that oil heat professionals have come to rely upon.

- **Cabinet construction** — 22 gauge steel cabinet ensures strength and quiet operation.
- **Finish** — Thermoset powder coat for greater durability.
- **Firing rates** — Multi-firing rates for a wide range of applications.
- **Burner** — Industry-leading Beckett burner which includes cleanout pump, PSC motor and solid state controls. Factory pre-wired, pre-assembled and tested. Ready to connect to fuel supply line.
- **Barometric draft control** — Included with all models.
- **Heat exchanger** — Proven heat exchanger design featuring 100% welded construction for maximum performance. Large accessible heat exchanger clean-out ports.
- **Radiator** — Wrap-around type for maximum heat transfer.
- **Blower** — Permanently lubricated, direct drive blower.
- **Blower motor** — Thermally protected four-speed motor is designed for heavy-duty continuous operation.
- **Blower assembly** — Entire unit with motor can easily be removed for servicing.
- **Filters included in all models** — Filter and rack built-in on 04LD models. Filter and rack packaged with 04HD and 04MD.
- **Insulation** — Spun glass and aluminum foil for "hand cool" cabinet.
- **Access door** — Easily removed for access to burner and controls. Completely enclosed controls and burner in most units.
- **A.F.U.E.** — Ratings up to 84%.
- **Flue** — Low Boy models are available with front or rear flue. Compact model is rear only.
- **Air conditioning** — Pre-wired fan center relay is standard.
- **Warranty** — The best in the industry:
 - 5 Year Limited Parts
 - 2 Year Mileage
 - 2 Year Labor
 - Limited Lifetime Heat Exchanger Warranty to Original Owner

Stock No.	Mfg. No.	Model No.	Btu/h Input	Btu/h Heating	AFUE Rating	Blower Performance CFM @ .05 w.c.	Nozzle GPH	Angle Spray	Filter Size	Ship. Wght.
235029	544104	04HD 091A-12F	70,000	58,000	83.0	960, 1028, 1074, 1091	0.50	80° A	16 x 25	250
			(1)91,000	73,000	81.0		0.65	80° A		
			98,000	79,000	80.5		0.70	80° A		
235030	544105A	04HD 140A-16F	105,000	90,000	82.0	1305, 1432, 1586, 1663	0.75	80° A	16 x 25	270
			119,000	100,000	81.0		0.85	80° A		
			(2)140,000	118,000	80.0		1.00	80° A		

(1) Factory set for 91,000 Btuh input

(2) Factory set for 140,000 Btuh input



FRONT VIEW

SIDE VIEW

MODEL	CABINET SIZE			SUPPLY PLENUM		BOTTOM RETURN		SIDE RETURN AIR K.O.		DIA. OF FLUE PIPE
	WIDTH A	DEBT B	HGHT C	WIDTH J	DEPTH K	WIDTH L	DEPTH M	WIDTH R	DEPTH S	
235029	22"	31"	49-5/8"	20.5"	20"	14"	22"	22"	14"	5"
235030	22"	31"	58"	20.5"	20"	14"	22"	22"	14"	6"